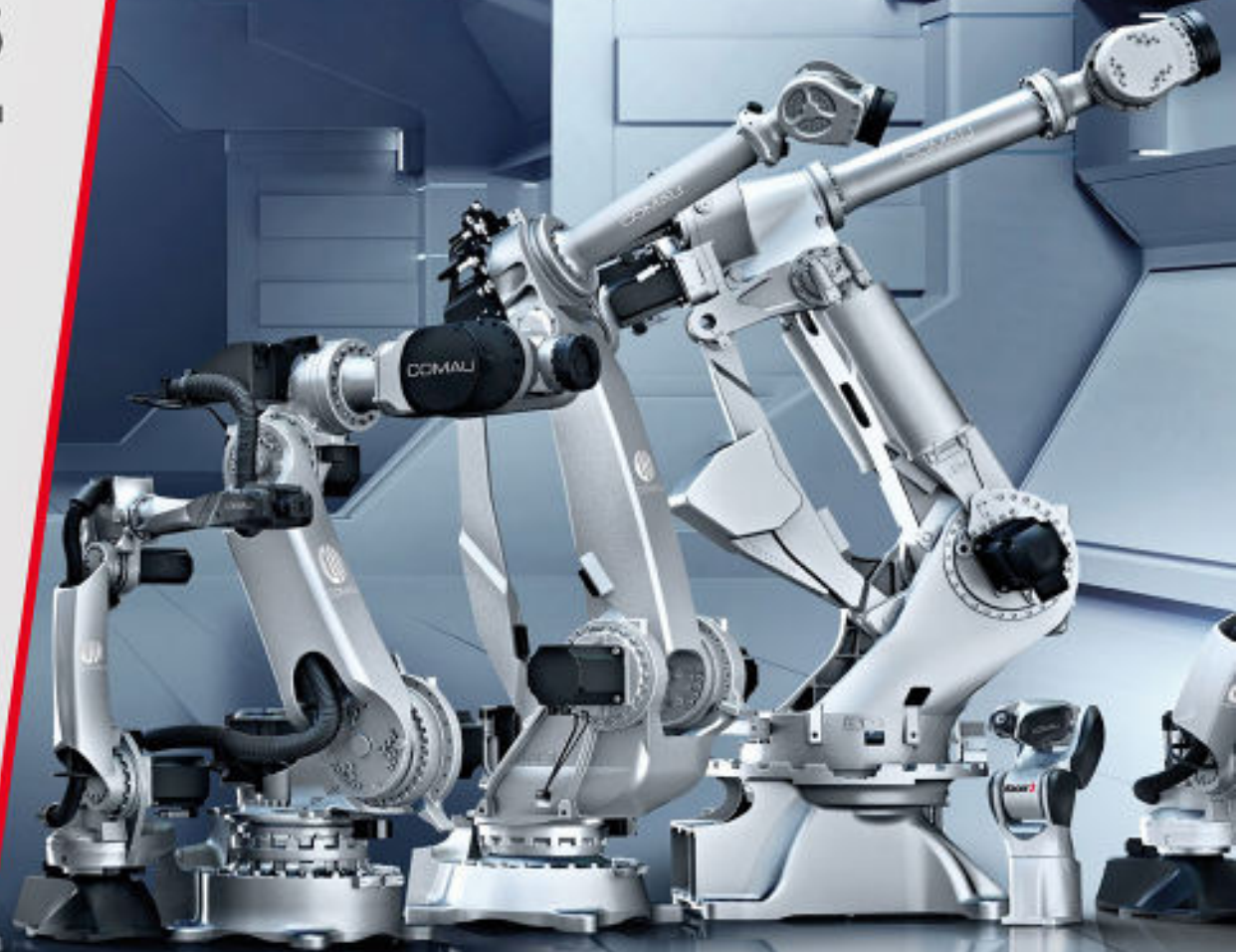


Robotics



EVENT MANAGEMENT

EMIT | EMUK | EMFR | EMBE

Event Management (IT)
via XXV Aprile, 68
20068 Peschiera B.
Milano - Italy
Tel. +39 0255301866
Fax +39 0251650666

Event Management (UK)
Copse Farm
Moorhurst LN
Holmwood - Dorking
Surrey RH5 4LJ London
Ph. +44 1306712451

Event Management (FR)
41, rue Barbès
94200 - Ivry sur Seine
Paris
Ph. +33 645457938

Event Management (BE)
93, rue de Florival
1390 - Grez Doiceau
Ph. +32 (0) 475 462 289

Comau Robotics

COMAU Robotics is a leading supplier of industrial robots, robotized processes and integrated robotic solutions.

Comau offers a wide range of innovative articulated robots, covering a large number of models that are perfect for handling, spot welding, arc welding, press-shop automation, palletizing, sealing, machine tending and many other applications.

Technologically advanced, reliable, flexible, and specifically tailored to our customers' needs, Comau Robotics guarantees optimal performances across the entire robot range, robotized cells and process-integrated solutions.

We also ensure prompt and flexible after-sales services. Our highly qualified and skilled team guides and assists customers for training, immediate intervention or scheduled maintenance.

Payloads from 3 to 650 kg
Horizontal reach from less than 1m up to more than 3m

Meet the Comau robot team.



EVENT MANAGEMENT

EMIT | EMUK | EMFR | EMBE

Event Management (IT)
via XXV Aprile, 68
20068 Peschiera B.
Milano - Italy
Tel. +39 0255301866
Fax +39 0251650666

Event Management (UK)
Copse Farm
Moorhurst LN
Holmwood - Dorking
Surrey RH5 4LJ London
Ph. +44 1306712451

Event Management (FR)
41, rue Barbès
94200 - Ivry sur Seine
Paris
Ph. +33 645457938

Event Management (BE)
93, rue de Florival
1390 - Grez Doiceau
Ph. +32 (0) 476 462 289

NJ

**A light kinematic structure
for better performances**

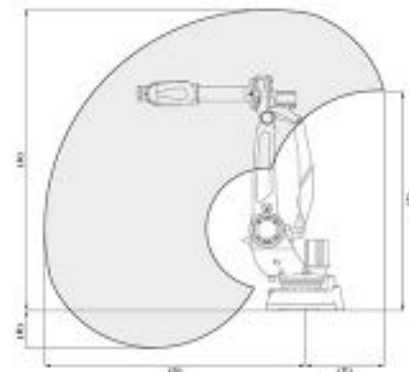
NJ 110 - 3.0

NJ 130 - 2.0

NJ 130 - 2.6



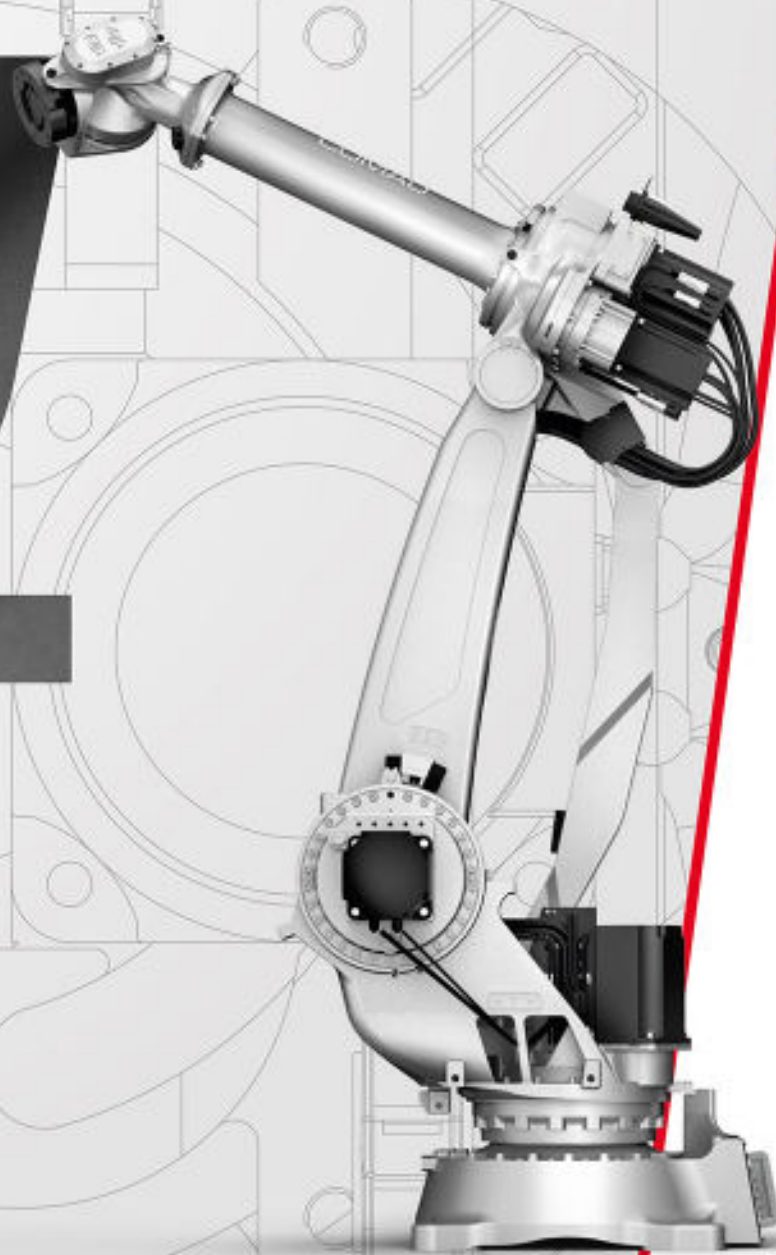
Model	NJ 110 - 3.0		NJ 130 - 2.0		NJ 130 - 2.6		Suggested applications
Number of axes	6		6		6		<ul style="list-style-type: none"> • Assembly • Cosmetic Sealing • Dispensing • Handling / Packaging • Laser Welding Cutting • Machine Tending • Measuring Testing • Plasma Cutting Water Jet • Polishing Deburring • Press Brake Bending • Press to Press • Processing Machining • Spot Welding • Wood-Glass Machining
Maximum wrist payload	110 kg		130 kg		130 kg		
Additional load on forearm	50 kg		50 kg		50 kg		
Maximum horizontal reach	2980 mm		2060 mm		2616 mm		
Torque on axis 4	638 Nm		638 Nm		638 Nm		
Torque on axis 5	638 Nm		638 Nm		638 Nm		
Torque on axis 6	314 Nm		314 Nm		314 Nm		
Stroke (Speed)	Axis 1	+/- 180° (110°/s)	+/- 180° (155°/s)	+/- 180° (110°/s)			
	Axis 2	+95° / -75° (110°/s)	-60° / +125° (105°/s)	-75° / +95° (110°/s)			
	Axis 3	-10° / -256° (110°/s)	0° / -165° (150°/s)	-10° / -256° (110°/s)			
	Axis 4	+/- 280° (190°/s)	+/- 280° (200°/s)	+/- 280° (190°/s)			
	Axis 5	+/- 120° (190°/s)	+/- 120° (190°/s)	+/- 120° (190°/s)			
	Axis 6	+/- 2700° (230°/s)	+/- 2700° (230°/s)	+/- 2700° (230°/s)			
Repeatability	0.07 mm		0.07 mm		0.07 mm		
Tool coupling flange	ISO 9409 - 1 - A 125		ISO 9409 - 1 - A 125		ISO 9409 - 1 - A 125		
Robot weight	1070 kg		740 kg		1060 kg		
Protection class	IP65 / IP67		IP65 / IP67		IP65 / IP67		
Mounting position	Floor / Ceiling		Floor / Ceiling / Sloping		Floor / Ceiling		
Operating Areas	A	3460 mm	2200 mm	3097 mm			
	B	2980 mm	2060 mm	2616 mm			
	C	2642 mm	1690 mm	2261 mm			
	D	757 mm	720 mm	824 mm			
	E	783 mm	733 mm	404 mm			



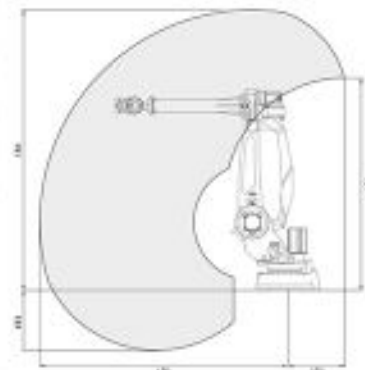
NJ

**Compact design for a
wide range of applications**

NJ 165 - 3.0
NJ 220 - 2.7



Model		NJ 165 - 3.0		NJ 220 - 2.7		Suggested applications
Number of axes		6		6		<ul style="list-style-type: none"> • Assembly • Cosmetic Sealing • Dispensing • Handling / Packaging • Laser Welding Cutting • Machine Tending • Measuring Testing • Plasma Cutting Water Jet • Polishing Deburring • Press Brake Bending • Press to Press • Processing Machining • Spot Welding • Wood-Glass Machining
Maximum wrist payload		165 kg		220 kg		
Additional load on forearm		50 kg		50 kg		
Maximum horizontal reach		3000 mm		2701 mm		
Torque on axis 4		1230 Nm		1230 Nm		
Torque on axis 5		1230 Nm		1230 Nm		
Torque on axis 6		712 Nm		712 Nm		
Stroke (Speed)	Axis 1	+/- 180°	{100°/s}	+/- 180°	{100°/s}	
	Axis 2	-95° / +180°	{90°/s}	-95° / +75°	{90°/s}	
	Axis 3	-10° / -256°	{110°/s}	-10° / -256°	{110°/s}	
	Axis 4	+/- 2700°	{130°/s}	+/- 2700°	{130°/s}	
	Axis 5	+/- 125°	{130°/s}	+/- 125°	{130°/s}	
	Axis 6	+/- 2700°	{195°/s}	+/- 2700°	{195°/s}	
Repeatability		0,08 mm		0,08 mm		
Tool coupling flange		ISO 9409 - 1 - A 160		ISO 9409 - 1 - A 160		
Robot weight		1240 kg		1220 kg		
Protection class		IP65 / IP67		IP65 / IP67		
Mounting position		Floor / Ceiling		Floor / Ceiling		
Operating Areas	A	3430 mm		3131 mm		
	B	3000 mm		2701 mm		
	C	2600 mm		2286 mm		
	D	730 mm		786 mm		
	E	738 mm		425 mm		



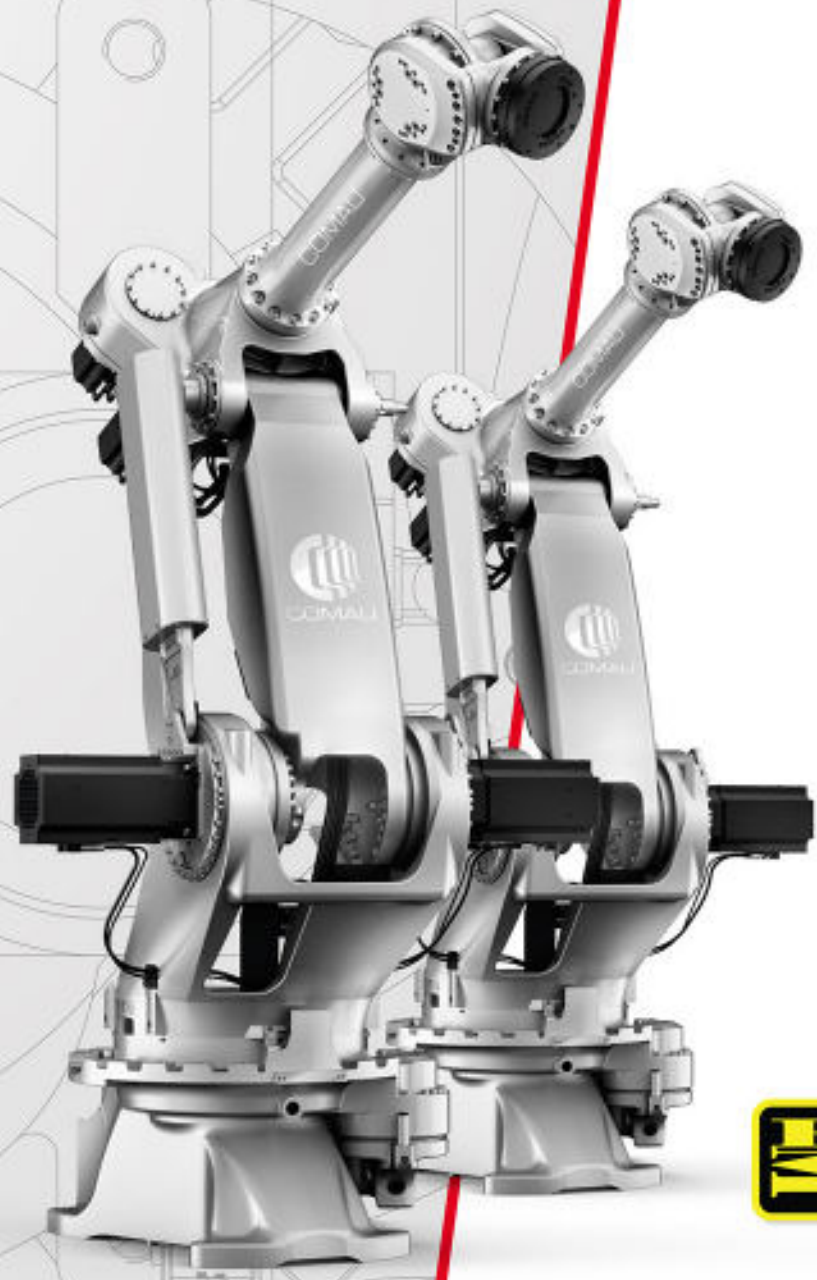
NJ

**Robust mechanics and the
best-in-class payload / reach ratio**

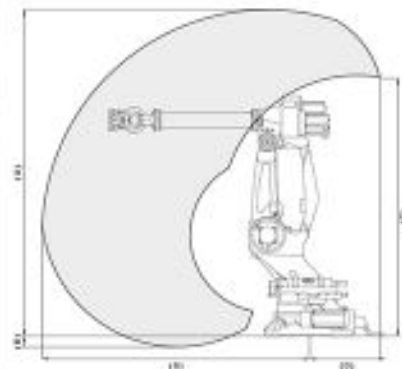
NJ 290 - 3.0

NJ 370 - 2.7

NJ 370 - 3.0



Model	NJ 290 - 3.0		NJ 370 - 2.7		NJ 370 - 3.0		Suggested applications
Number of axes	6		6		6		<ul style="list-style-type: none"> • Assembly • Foundry • Handling / Packaging • Machine Tending • Measuring Testing • Plasma Cutting Water Jet • Polishing Deburring • Press Brake Bending • Processing Machining • Spot Welding • Wood-Glass Machining
Maximum wrist payload	290 kg		370 kg		370 kg		
Additional load on forearm	50 kg		50 kg		50 kg		
Maximum horizontal reach	2997 mm		2703 mm		2997 mm		
Torque on axis 4	1668 Nm		2109 Nm		2109 Nm		
Torque on axis 5	1668 Nm		2109 Nm		2109 Nm		
Torque on axis 6	1177 Nm		1177 Nm		1569 Nm		
Stroke (Speed)	Axis 1	+/- 180° (90°/s)	+/- 180° (85°/s)	+/- 180° (85°/s)	+/- 180° (85°/s)		
	Axis 2	+/- 75° (90°/s)	+75° / - 60° (85°/s)	+75° / - 60° (85°/s)	+75° / - 60° (85°/s)		
	Axis 3	0° / -220° (90°/s)	-10° / - 231° (85°/s)	-10° / - 231° (85°/s)	-10° / - 231° (85°/s)		
	Axis 4	+/- 2700° (106°/s)	+/- 2700° (90°/s)	+/- 2700° (90°/s)	+/- 2700° (90°/s)		
	Axis 5	+/- 125° (106°/s)	+/- 125° (90°/s)	+/- 125° (90°/s)	+/- 125° (90°/s)		
	Axis 6	+/- 2700° (160°/s)	+/- 2700° (120°/s)	+/- 2700° (120°/s)	+/- 2700° (120°/s)		
Repeatability	0.15 mm		0.15 mm		0.15 mm		
Tool coupling flange	ISO 9409 - 1 - 200 - 6 - M12		ISO 9409 - 1 - 200 - 6 - M12		ISO 9409 - 1 - 200 - 6 - M12		
Robot weight	2150 kg		2100 kg		2450 kg		
Protection class	IP65 / IP67		IP65 / IP67		IP65 / IP67		
Mounting position	Floor		Floor		Floor		
Operating Areas	A	3680 mm		3680 mm		3680 mm	
	B	2997 mm		2997 mm		2997 mm	
	C	3195 mm		3195 mm		3195 mm	
	D	433 mm		433 mm		433 mm	
	E	-118 mm		-118 mm		-118 mm	



WJ

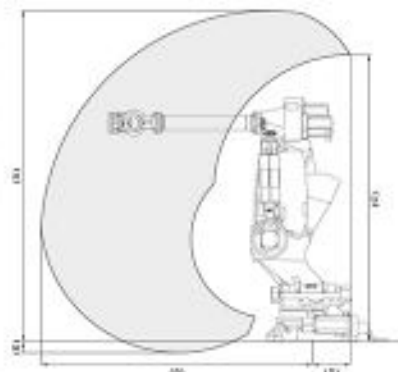
**High payload models for the
most demanding applications**

NJ 420 - 3.0

NJ 450 - 2.7



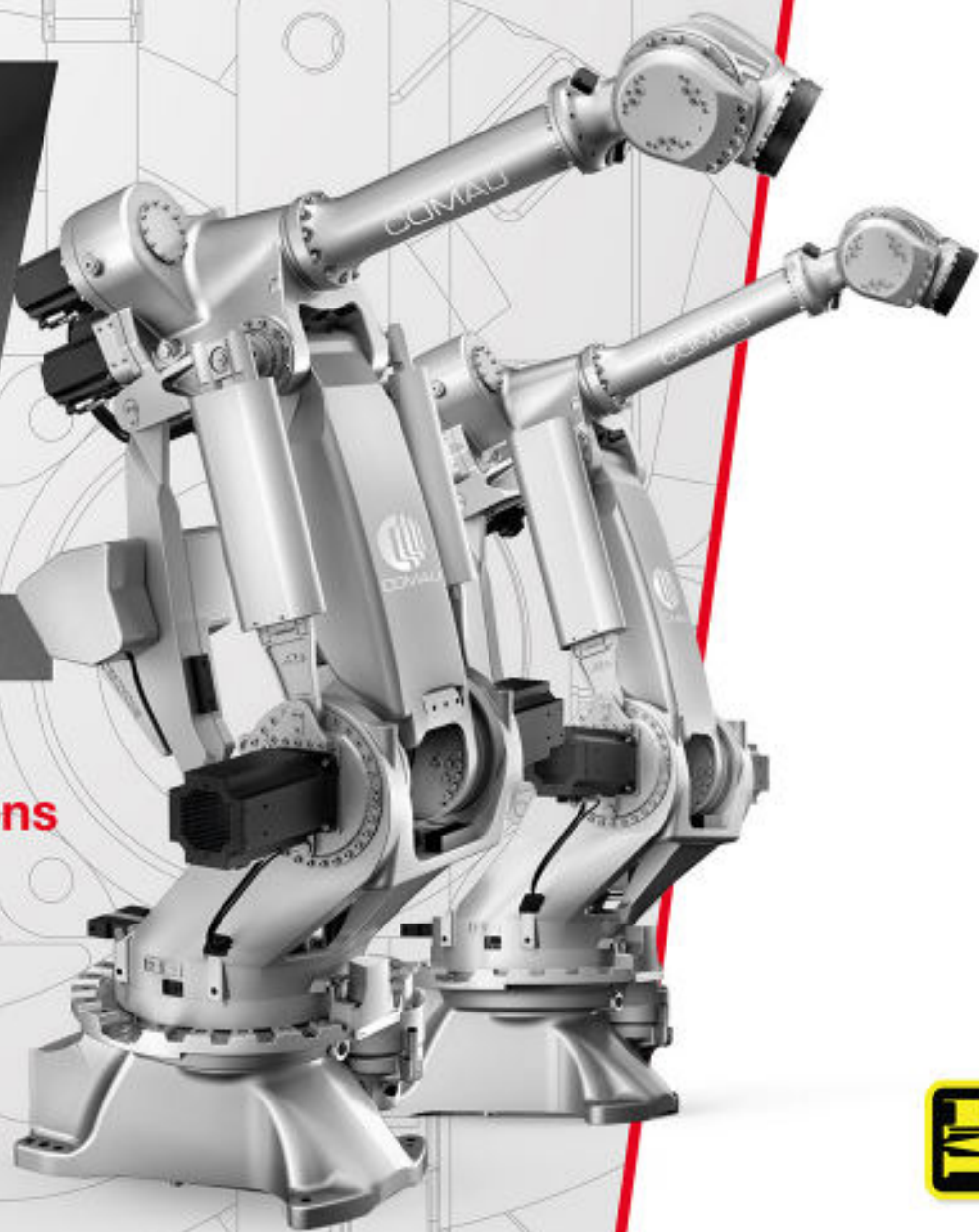
Model		NJ 420 - 3.0		NJ 450 - 2.7		Suggested applications
Number of axes		6		6		<ul style="list-style-type: none"> • Assembly • Foundry • Handling / Packaging • Machine Tending • Measuring Testing • Plasma Cutting Water Jet • Polishing Deburring • Press Brake Bending • Processing Machining • Spot Welding • Wood-Glass Machining
Maximum wrist payload		370 kg		450 kg		
Additional load on forearm		50 kg		50 kg		
Maximum horizontal reach		2997 mm		2703 mm		
Torque on axis 4		2550 Nm		2550 Nm		
Torque on axis 5		2550 Nm		2550 Nm		
Torque on axis 6		1569 Nm		1569 Nm		
Stroke (Speed)	Axis 1	+/- 180°	(85°/s)	+/- 180°	(85°/s)	
	Axis 2	+75° / -60°	(85°/s)	+75° / -60°	(85°/s)	
	Axis 3	-10° / -231°	(85°/s)	-10° / -231°	(85°/s)	
	Axis 4	+/- 2700°	(90°/s)	+/- 2700°	(90°/s)	
	Axis 5	+/- 125°	(90°/s)	+/- 125°	(90°/s)	
	Axis 6	+/- 2700°	(120°/s)	+/- 2700°	(120°/s)	
Repeatability		0,15 mm		0,15 mm		
Tool coupling flange		ISO 9409 - 1 - 200 - 6 - M12		ISO 9409 - 1 - 200 - 6 - M12		
Robot weight		2450 kg		2400 kg		
Protection class		IP65 / IP67		IP65 / IP67		
Mounting position		Floor		Floor		
Operating Areas	A	3580 mm		3292 mm		
	B	2997 mm		2703 mm		
	C	3195 mm		2895 mm		
	D	433 mm		486 mm		
	E	-118 mm		181 mm		



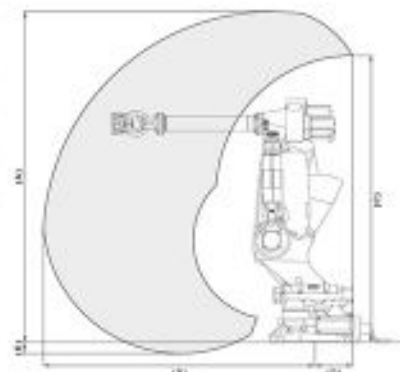
NJ

**Strongest models for the
most demanding applications**

NJ 500 - 2.7
NJ 650 - 2.7



Model		NJ 500 - 2.7		NJ 650 - 2.7		Suggested applications
Number of axes		6		6		<ul style="list-style-type: none"> • Assembly • Foundry • Handling / Packaging • Machine Tending • Measuring Testing • Plasma Cutting Water Jet • Polishing Deburring • Press Brake Bending • Processing Machining • Spot Welding • Wood-Glass Machining
Maximum wrist payload		500 kg		650 kg		
Additional load on forearm		50 kg		50 kg		
Maximum horizontal reach		2703 mm		2703 mm		
Torque on axis 4		2550 Nm		3060 Nm		
Torque on axis 5		2550 Nm		3060 Nm		
Torque on axis 6		1589 Nm		1766 Nm		
Stroke (Speed)	Axis 1	+/- 180°	(85°/s)	+/- 180°	(75°/s)	
	Axis 2	+75° / -60°	(85°/s)	-60° / +75°	(75°/s)	
	Axis 3	-10° / -231°	(85°/s)	-231° / -10°	(75°/s)	
	Axis 4	+/- 2700°	(90°/s)	+/- 2700°	(90°/s)	
	Axis 5	+/- 125°	(90°/s)	+/- 125°	(90°/s)	
	Axis 6	+/- 2700°	(120°/s)	+/- 2700°	(120°/s)	
Repeatability		0,15 mm		0,15 mm		
Tool coupling flange		ISO 9409 - 1 - 200 - 6 - M12		ISO 9409 - 1 - 200 - 6 - M12		
Robot weight		2400 kg		2450 kg		
Protection class		IP65 / IP67		IP44 / IP65 Wrist		
Mounting position		Floor		Floor		
Operating Areas	A	3382 mm		3382 mm		
	B	2703 mm		2703 mm		
	C	2895 mm		2895 mm		
	D	486 mm		486 mm		
	E	181 mm		181 mm		





EVENT MANAGEMENT

TUTTA LA TECNICA PER L'EVENTO

Event Management (IT)
via XXV Aprile, 68 - 20068
Peschiera Borromeo
Milano - Italy
Tel. +39 0255301866
Fax +39 0251650666

Event Management (UK)
Copse Farm
Moorhurst LN
Holmwood - Dorking
Surrey RH5 4LJ London
Ph. +44 1306712451
T - 01306 712451

Event Management (FR)
41, rue Barbès
94200 - Ivry sur Seine
Paris
Ph. +33 645457938
Ph. +33 (0) 7 83 99 21 06

Event Management (BE)
93, rue de Florival
1390 - Grez Doiceau
Ph. +32 (0) 475 462 289

EM Automations
via Tecnica 26839 Zelo
Buon Persico
Lodi - Italy
Tel. +39 02 553 018 66
Fax +39 02 516 506 66

EM Graphics Studios
Via XXV Aprile, 68 - 20068
Peschiera Borromeo
Milano - Italy
Tel. +39 02 553 031 54

www.eventmanagementsrl.it